



PowerCase

Portable power station
Moduloo Ex range

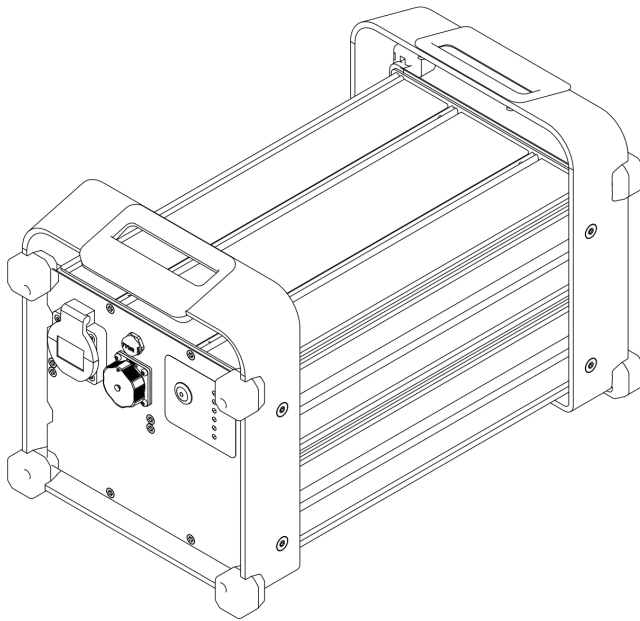
Quick start guide



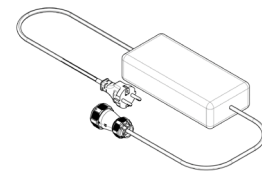
V2.0 - 14/02/2024

Package content

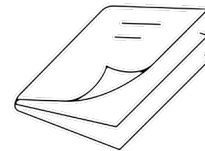
Included in delivery



Portable power station
PowerCase



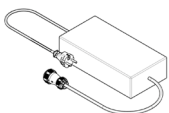
220 VAC 300 W
mains charger



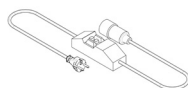
Quick start guide

Optional accessories

Obtain additional accessories for your PowerCase by contacting TYVA Energie:



Fast mains
charger



RCD module

Electrical specifications

PowerCase	E2
Available energy /kWh	2
Output power /VAC	220
Frequency /Hz	50
16 A output	1
Peak discharge power /kW	3
DC charger input /W	300 - 1000
Recommended charge time /hours	5
Handles	2

Power outlet	E2
Input power /VAC	220
Maximum continuous charge power /kW	1
Maximum continuous charge current /A	20

Mechanical specifications



Dimensions

455 x 268 x 282 mm



Weight

19.8 kg



Sealing

IP54



Temperature

Operating
- 10 to + 40 °C
Charge
0 to + 40 °C



Chemistry

Li-ion NMC

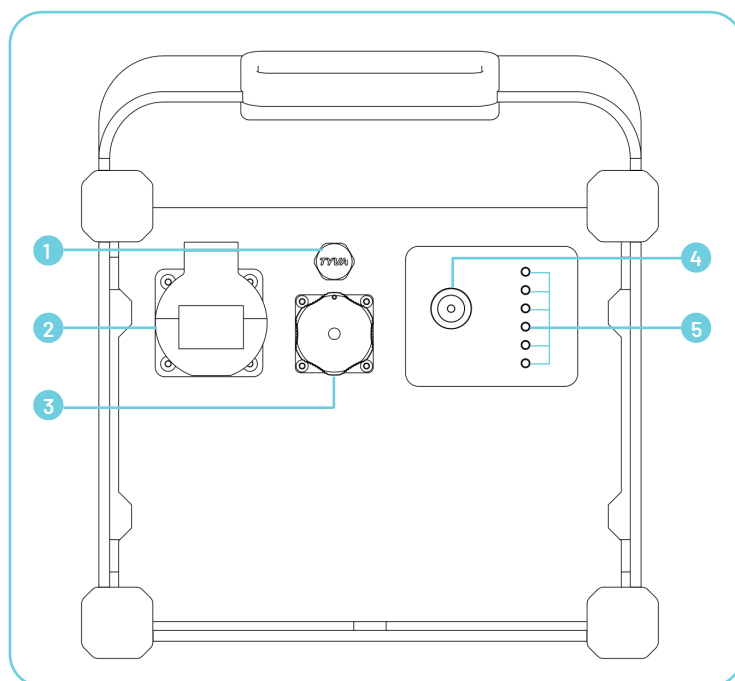


Outer case

Aluminium

User interface

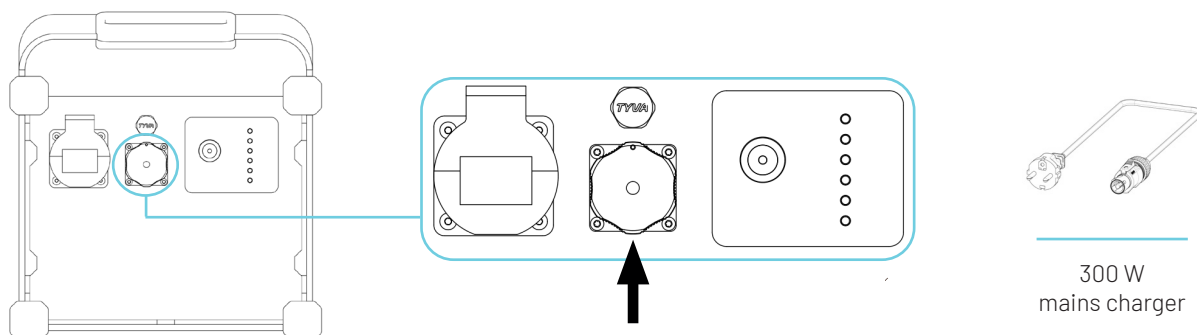
PowerCase



- 1 Safety vent
- 2 Type 2 power outlet
220 VAC / 16 A / 50 Hz / 3 kW max
- 3 DC charge outlet
58.8 V / 5 - 15 A
- 4 ON / OFF button
- 5 LED displays
Battery state of charge

Recharge

Outlet charge



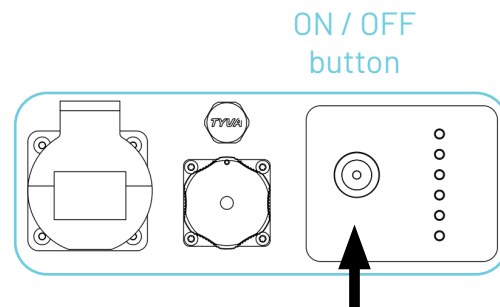
1. Remove the protective cap from the recharge outlet.
2. Place the end of the charger in front of the PowerCase's outlet, while ensuring that the two elements correctly fit together.
3. Plug the end of the charger in the PowerCase's outlet with a slight tilt to the right. Keep rotating until you hear a click indicating the end of the charger is locked on the outlet.
4. Follow up the state of charge thanks to the LED displays on the front panel of the PowerCase.

Starting up

1

Power up / down

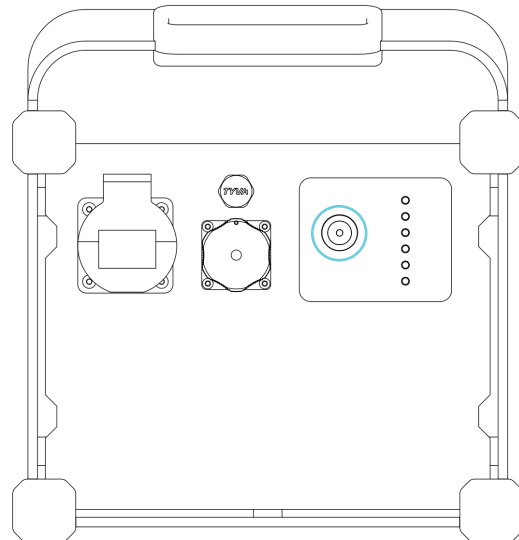
1. Press the ON / OFF button once.
2. The indicator light on the button is blinking twice to indicate the system's switching on. It stays lit once the PowerCase is ready for use.
3. Press the ON / OFF button for at least 3 seconds to switch off the station. Make sure not to store it while discharged.



2

Use

1. Plug your device to the PowerCase using a compatible type 2 outlet on the station's power outlet.
2. You are now powering your application thanks to the PowerCase and you can use it as you wish.
3. Unplug the cable and switch off the PowerCase to end the use.



The PowerCase can only be used in a - 10 °C to + 40 °C temperature range.
It follows a specific security protocol that cannot be bent outside this range.

Charge is impossible if you exceed the 0 to + 45 °C temperature range.
Discharge is impossible if you exceed the - 20 °C to + 60 °C temperature range.

TYVA Smart Dashboard

Download

Download our TYVA Smart Dashboard monitoring app, the genuine mobile dashboard available on Android and iOS smartphones and tablets, then connect yourself to the system with Bluetooth!



Android devices

Download the app via the Google Play Store



iOS devices

Download the app via the App Store



By downloading the TYVA Smart Dashboard app, you accept the terms and conditions of TYVA Energie's Privacy policy. Learn more: <https://tyva-energie.com/en/privacy-policy/>

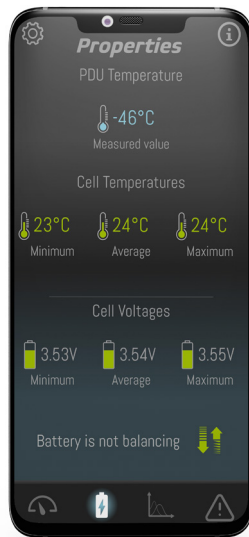
Interface

The TYVA Smart Dashboard digital app allows you to supervise the global system of your portable power station made up of TYVA Energie's lithium batteries. It includes four tabs:



Homepage

Global overview of information



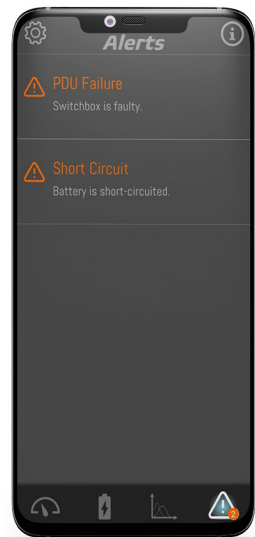
Properties

Temperature and voltage data



Graphs

Temperature, power, voltage and current follow up



Alerts

Warnings (blue icon) and errors (orange icon)

Status

Indicator light

The light in the middle of the ON/OFF button repeatedly blinks depending on the PowerCase's various states as described below:

Status	Type of pulse	Description
Idle		1 flash
PduCurrentError		2 flashes
VoltageError		3 flashes
TemperatureError		4 flashes
SystemError		5 flashes
Charge mode		Continuous light disrupted by 1 flash
Discharge mode		Continuous light disrupted by 2 flashes

Digital alerts

Notifications can be seen in the « Alerts » tab of TYVA Smart Dashboard app:



- Low Voltage
- High Voltage
- NTC Issue
- Warning Bluetooth
- Data Log Issue
- Under-temperature
- Over-temperature
- Under-voltage
- Over-voltage
- Over-current
- PDU Lock
- PDU Failure
- PDU Over-temperature
- Charge Error
- Cellule Issue
- Short Circuit
- Slave Silent
- AFE Issue
- Short Circuit on Precharge

Any question?



Access to the **Moduloo Ex range's** guides, user manuals and support

Prior to this guide, you must imperatively refer to the safety instructions and the directives listed in the user manual of the PowerCase

